

Three-in-one outdoor optical fiber connector specification

SC type



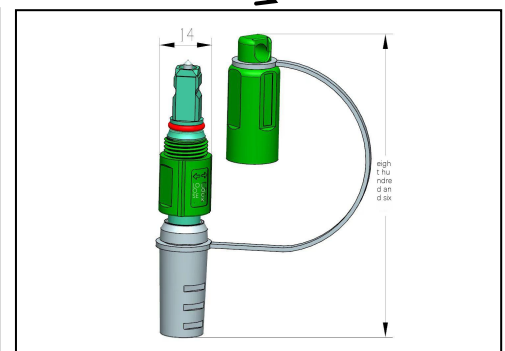
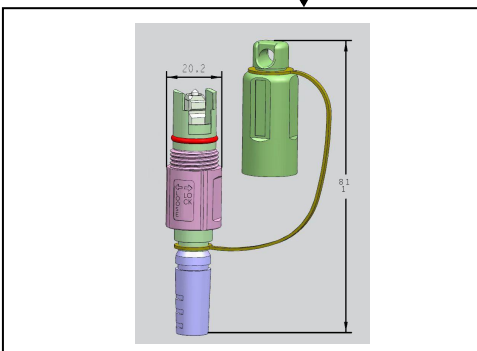
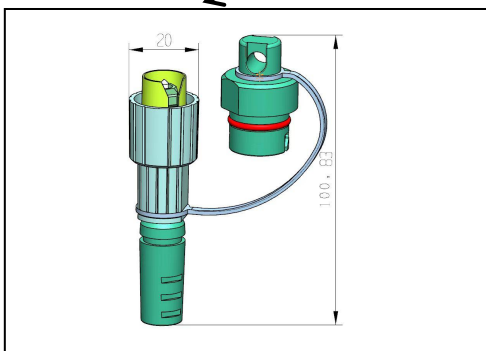
I . product features

- ◆ ; The universal design is mainly aimed at the compatibility of waterproof connectors of Huawei, Corning optitip ,optitap and Furukawa.
- ◆ ; Help operators save the connection cost between different communication devices.
- ◆ ; Compared with traditional connectors, application scheduling is more convenient, saving manpower and time consumption.

II .Appearance of the product (it is required to mark the overall dimensions of the product, and refer to the above picture for the color of the product)



Connector



III. Technical parameters

Suitable optical cable	5.0/Leather Cable 2x3/Flat Cable 5x8
Insertion of IL(dB)	0.3
Return loss RL(dB)	APC 60
Mechanical durability	Repeated plugging and unplugging for 200 times
tensile strength	1000N
Working temperature	-40-85
Waterproof grade	IP68

IV Application scenario (if there is a physical product, please attach it):

Mainly used for outdoor waterproof installation and docking of FTTH access equipment. When the output ports of access network equipment such as fiber splitter box are Corning OPT adapter, Huawei FAST CONECTOR adapter and Furukawa Slim adapter, the connector body can be screwed and fixed with the corresponding adapter quickly and then docked with the output adapter. The site operation is simple and easy to install, without special tools.

Application 1:

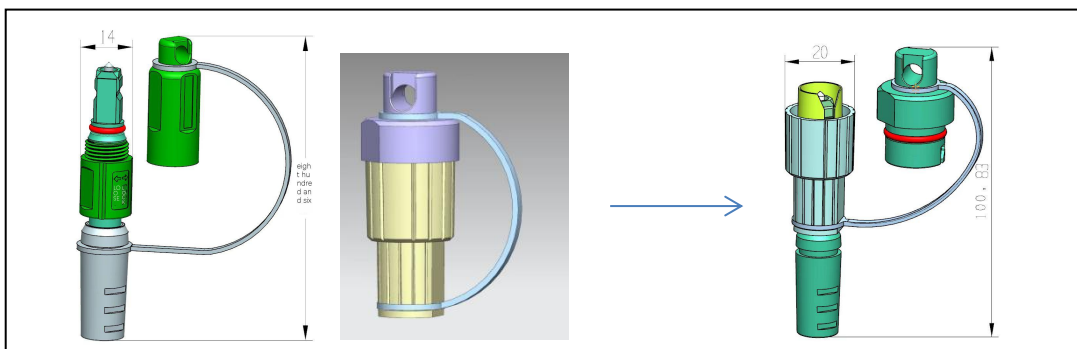


Illustration after the connector is installed with Huawei FAST adapter

Application 2:

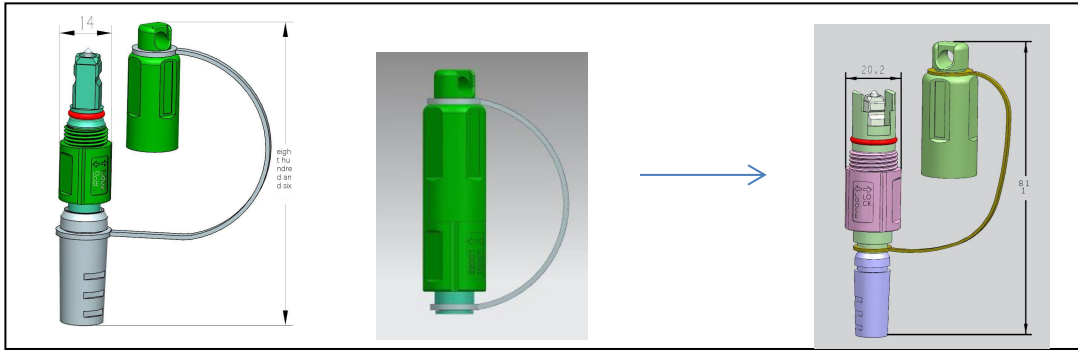


Figure after the connector is installed with Corning OPT adapter (main body+converter)

